



Urdan Metal &  
Casting Industries Ltd.

## ***URDAN CAST TRACKS AND SUSPENSIONS***





**Urdu Metal &  
Casting Industries Ltd.**

## ***TRACKS OVERVIEW***

**With over 30 years experience designing and producing cast tracks for tracked vehicles Urdu offers optimum performance and high quality tracks for use on any MBT or APC. Over the years Urdu has developed in co-operation with the customers tracks for general and specific applications. Whatever the terrain, whether paved roads, desert sands or rocky terrain Urdu has the right tracks for the job.**

**Tracks selection and design is carried out in cooperation with the customers.**

**Urdu tracks are supplied as a complete kit including sprockets, hubs, road wheels and support rollers or tracks only.**

**Urdu can replace tracks with new tracks of the original design or with modified designs which can link with the existing running gear.**

**Urdu operates state of art equipment and complies with quality systems ISO9000:2008 and MIL-I-45208.**

**You can rely on Urdu tracks for quality and performance.**



Urda Metal &  
Casting Industries Ltd.

## ***TRACKS PERFORMANCE***

The high performance of Urda tracks is the outcome of many years of experience with tracks for the IDF. These tracks have been tried and proven in every type of terrain. When you choose Urda tracks you are sure to get high performance.

### Excerpts from test report

The IDF adopted Urda's cast Track Shoes after they were tested and compared with the original ones...

"From the survivability follow-up it was found that the 'URDAN' shoe survivability is much higher than the original shoes:-

- (a) Of 63 'URDAN' shoes which were mounted at the beginning of the test, 43 survived—a 67% survivability over 6000 km.
- (b) Of 64 original shoes, 13 survived—a 20% survivability over 6000 km."

URDAN IND'S M 113 TRACK SHOE (T130E ) I.D.F. ROAD TEST	
SURVIVABILITY OVER 6000 km.	
ORIGINAL U.S. MANUFACTURED (FORGED), 20% SURVIVED 13 OUT OF 64	URDAN MANUFACTURED (CAST), 67% SURVIVED. 43 OUT OF 63
SOURCE: I.D.F. REPORT No. 78/142 (1978)	



Urdan Metal &  
Casting Industries Ltd.

## ***TRACK TYPES***

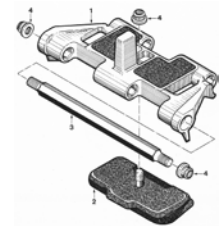
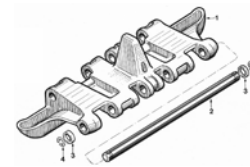
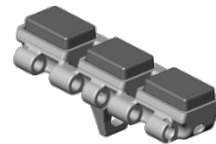
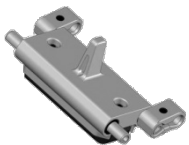
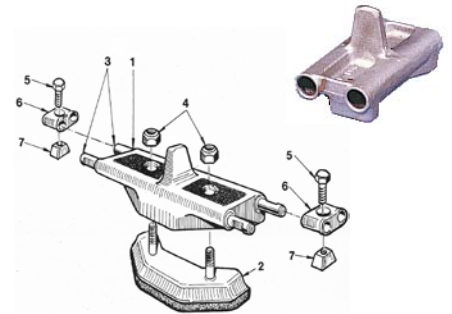
**Urdan offers many different types of cast tracks:**

**Double pin or single pin**

**Rubber-bushed or dry link**

**Rubberized or metal road-wheel path**

**With or without pads**





Urdan Metal &  
Casting Industries Ltd.

## ***TRACK SHOES***



**Single Pin Track Shoe**

**Weight: 26 Kg.**

**Material: Manganese Steel**

**T136 Track Shoe**

**Weight: 12 Kg.**

**Material: HSLA**



**Double Pin Track Shoe**

**Weight: 26 Kg.**

**Material: Manganese Steel**



**T55 Track Shoe**

**Weight: 15 Kg.**

**Material: Manganese Steel**